

(No Model.)

E. F. WARD.

ROWLOCK FOR RACING BOATS, &c.

No. 317,430.

Patented May 5, 1885.

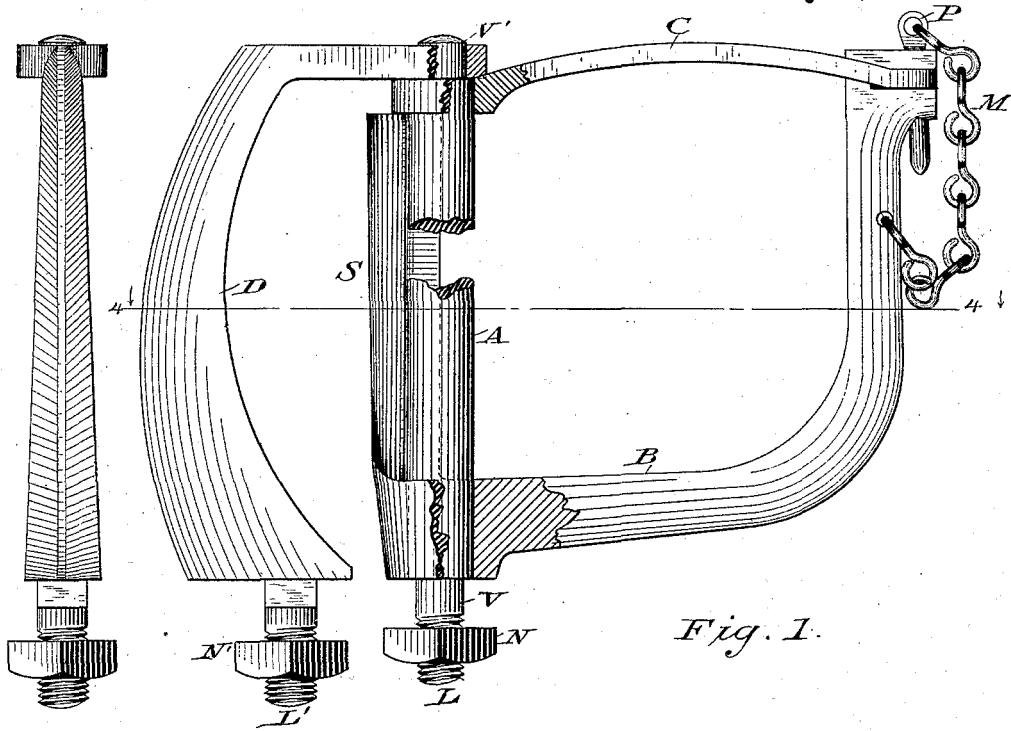


Fig. 1.

Fig. 2.

Fig. 3.

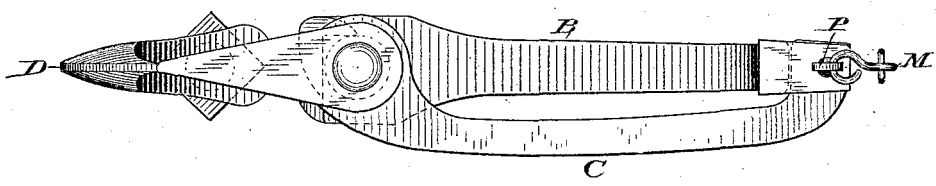
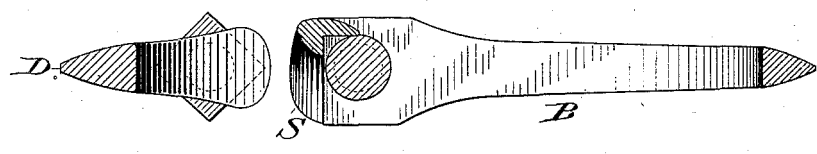


Fig. 4.



WITNESSES

Wm A. Shinkle
Henry A. Lamb

INVENTOR

Ellis F. Ward

UNITED STATES PATENT OFFICE.

ELLIS F. WARD, OF PHILADELPHIA, PENNSYLVANIA.

ROWLOCK FOR RACING-BOATS &c.

SPECIFICATION forming part of Letters Patent No. 317,430, dated May 5, 1885.

Application filed July 21, 1884. (No model.)

To all whom it may concern:

Be it known that I, ELLIS F. WARD, of Philadelphia, State of Pennsylvania, have made certain new and useful Improvements in Rowlocks for Racing and Row Boats, &c., of which the following description, taken in connection with the accompanying drawings, is a full and exact specification.

My invention relates particularly to what is known as "swivel-rowlocks," adapted particularly to pleasure and racing boats, as will be hereinafter described, and particularly claimed.

Referring to the drawings, Figure 1 represents a side view of my improved rowlock, showing parts in broken section. Fig. 2 is a rear elevation, looking at the lock as it would appear on the boat looking from the bow to the stern thereof. Fig. 3 is a horizontal plan view, and Fig. 4 a cross-section on line 4 4, Fig. 1.

Referring to the drawings in detail, A represents the thole-pin, shouldered at V and V', and on its lower end a nut, N.

D is a back brace adapted to brace the thole-pin in the rear by being fitted, as shown, over shoulder V, and having a nut, N, on its bottom lug, L'.

B represents the yoke, or that portion which sustains the oar. It is adapted to slide over the thole-pin, and is provided with a shoulder, S, against which the button of the oar can play while rowing.

C is the locking bar, fitted, as shown, over the thole-pin, and adapted to swing out horizontally so as to admit the oar, after which it is returned to position and locked in place by a pin, P, attached to a chain, M, in a manner well known. It will thus be seen that my improved rowlock is made of four distinct pieces, and that the part most liable to break—in this instance the thole-pin—may be replaced by any skilled mechanic, so that if by accident one breaks a lock he need not throw it entirely away, but may replace the part broken. The lock is attached to the outrigger or gunwale by nuts N N' on lugs L L', in the usual manner.

The special features of my lock are, first, that it is made in distinct pieces, any one of which may be readily replaced when lost or

broken; second, the thole pin presents full wide surface to the back of the oar; and, third, it is firmly braced from the rear by a detachable brace, which also holds all of the parts together in firm and compact relation.

I do not claim, broadly, a swivel-rowlock, nor a lock made of independent parts. Such I acknowledge to be old; but

What I do claim, and desire to secure by letters patent of the United States, is—

1. In a rowlock, the combination of a detachable thole-pin sustaining a yoke and lock-bar in swinging relation thereto, and being in turn sustained at its top by a detachable back brace, substantially as shown and described.

2. In a rowlock, the combination of the thole-pin and detachable lock-bar and yoke, the latter having an extended bearing over the whole length of the thole-pin, on the rear side of said thole-pin only, substantially as described.

3. In a rowlock, the combination, with a thole-pin attached directly to the gunwale or outrigger of a boat, of a yoke embracing directly the thole-pin, a lock-bar resting on the yoke and embracing the thole-pin near its top, in order that it may swing with the yoke, and a back brace attached to the upper end of the thole-pin and to the gunwale or outrigger and firmly holding the first-named parts together, all as substantially described.

4. In a rowlock, the combination, with the thole-pin attached directly to the gunwale or outrigger of a boat, and against which the oar has direct bearing, of a yoke for sustaining the oar embracing said thole-pin and resting directly on the gunwale or outrigger as it swings, substantially as described.

5. In a rowlock, the combination, with a thole-pin, of a yoke and lock-bar having pivotal connection with said thole-pin, a back brace firmly holding the aforesaid parts together in detachable relation, substantially as described.

In testimony whereof I have signed my name to this specification in presence of two subscribing witnesses.

ELLIS F. WARD.

Witness:

JOHN A. WIEDERSHEIM,
C. ELDER LINDSAY.