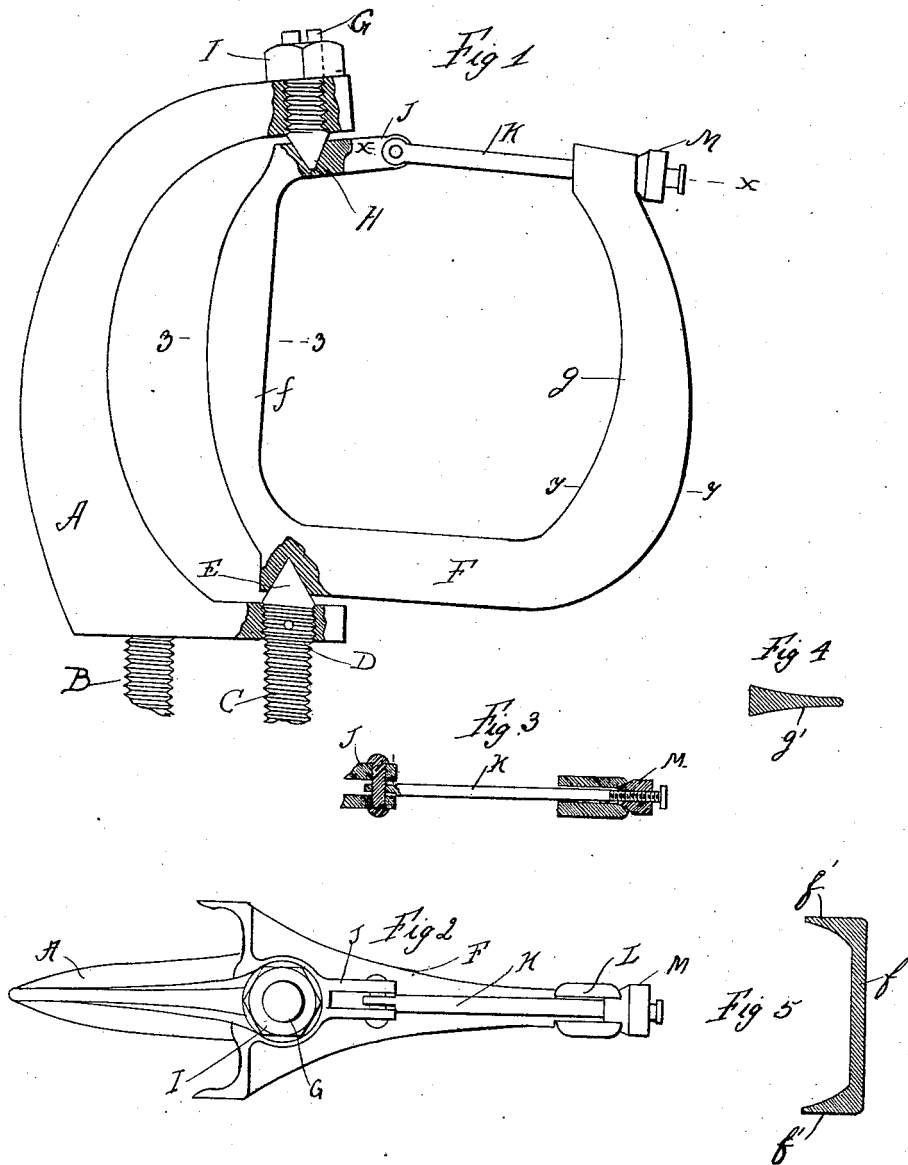


No. 868,378.

PATENTED OCT. 15, 1907.

E. F. WARD,  
OAR LOCK.

APPLICATION FILED JAN. 23, 1907.



WITNESSES:

Francis Arbocock  
S. Williamson

INVENTOR  
Ellis F. Ward

BY  
W. P. Williamson  
ATTORNEY

# UNITED STATES PATENT OFFICE.

ELLIS F. WARD, OF PHILADELPHIA, PENNSYLVANIA.

## OAR-LOCK.

No. 868,378.

Specification of Letters Patent.

Patented Oct. 15, 1907.

Application filed January 23, 1907. Serial No. 353,608.

To all whom it may concern:

Be it known that I, ELLIS F. WARD, a citizen of the United States, residing at Philadelphia, county of Philadelphia, and State of Pennsylvania, have invented a certain new and useful Improvement in Oar-Locks, of which the following is a specification.

My invention relates to a new and useful improvement in oar locks, and has for its object to provide an exceedingly simple and effective construction of such a lock especially adapted for out riggers and racing boats and which will be of such form as to be used either as a right hand or left hand lock, and by means of which an oar lock will be held against accidental displacement and the leather collar upon the oar will not be unduly chafed by contact from the side of the lock.

With these ends in view, this invention consists in the details of construction and combination of elements hereinafter set forth and then specifically designated by the claims.

In order that those skilled in the art to which this invention appertains may understand how to make and use the same, I will describe its construction in detail, referring by letter to the accompanying drawing forming a part of this specification, in which—

Figure 1 is a side view of an oar lock made in accordance with my improvement, portions thereof being broken away in sections to clearly show the pivot centers; Fig. 2, a plan view of the oar lock; Fig. 3, a section at the line X—X of Fig. 1; Fig. 4, a section at the line Y—Y of Fig. 1; and Fig. 5, a section at the line 3—3 of Fig. 1.

In carrying out my invention as here embodied, A represents the bracket or head which is provided with the threaded bolts B and C by which it may be secured to the out-rigging, the bolt C having an enlargement D which is threaded into the lower end of the bracket, the upper end of said bolt terminating in the conical shaped center E adapted to fit in the corresponding socket formed in the lock F.

G represents an adjusting screw which is threaded through the upper end of the bracket and also has a conical end H which fits in the corresponding socket in the upper portion of the lock as clearly shown in Fig. 1, a jam nut I being run upon the bolt G so as to hold it in place after it has been adjusted. By this arrangement the lock will be free to swing upon the pivots E and H, the vertical portion f of the lock F

has formed therewith wings f' which are of sufficient width to prevent undue chafing or wear upon the leather collars on the oar, and the curved portion g of the lock is ribbed as indicated at g' so as to strengthen this portion of the lock and prevent it from becoming bent in use.

J is an extension formed with the body of the lock and in this extension is pivoted the rectangular rod K which is adapted to swing in the open mouthed slot L formed in the upper end of the curved portion g, and upon the outer end of this rod is threaded a thumb nut M formed of a conical block and cooperating with a conical seat formed in the walls of the slot L and by this arrangement the lock may be opened by the swinging upward of the rod K so as to permit the oar to be placed therein after which the rod is swung downward until it enters the slot L, when by running the thumb nut inward upon the rod the bevel portion of said nut will pass into the slot L and lock the rod against any upward movement thus preventing any accidental displacement of the oar. When it is desired to remove the oar from the lock it is only necessary to back off the thumb nut M and swing the rod K upward when the oar may be readily removed from the lock.

It is to be noted that the lock is made of a single casting and is so formed that it may be used either upon the right hand or left hand of the boat with equal efficiency.

Having thus fully described my invention, what I claim as new and useful, is—

In an oar lock, a bracket adapted to be secured to the outrigging of a boat, two bolts threaded through said bracket said bolts having conical ends, a lock having corresponding sockets into which said conical ends fit whereby the lock will be pivoted, an extension formed with the lock, a rod pivoted to the extension at one end and its opposite end shaped to a rectangular form and adapted to fit an open mouthed slot of rectangular cross-section formed in the opposite end of the lock a thumb nut formed of a conical block and adapted to clamp the rectangular end of the rod and cooperating with a conical seat formed in the adjacent end of the walls composing the rectangular slot.

In testimony whereof, I have hereunto affixed my signature in the presence of two subscribing witnesses.

ELLIS F. WARD.

Witnesses:

JOSEPH C. SMITH,  
S. M. GALLAGHER.